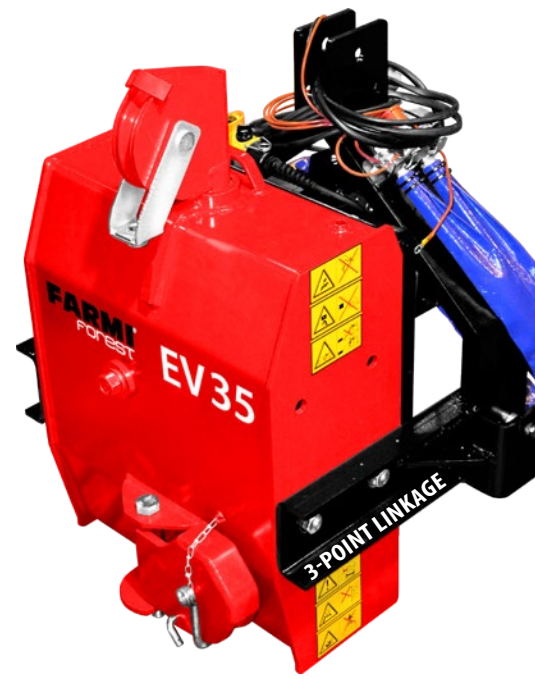


FARMI® FOREST

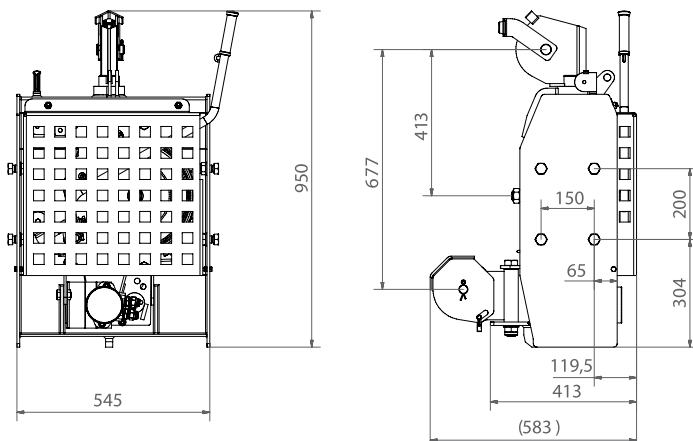
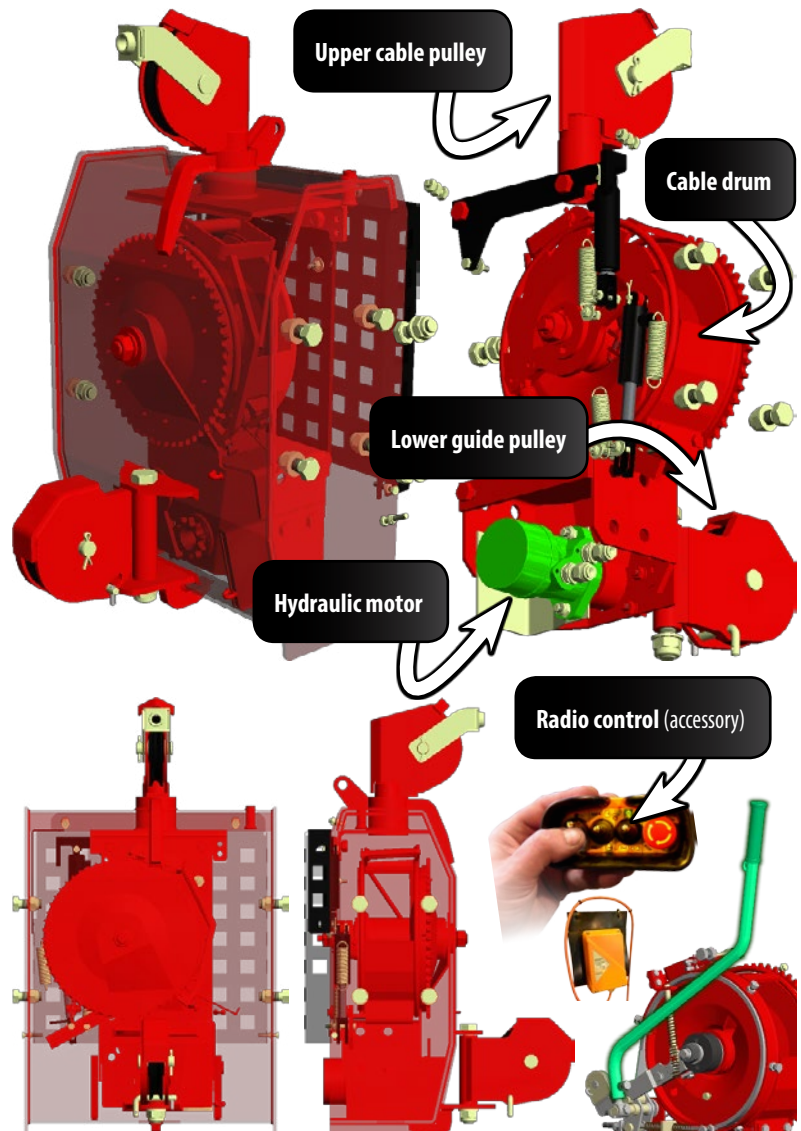
PROFITABLE CHOICE - SINCE 1962

FARMI EV 35(R) HYDRAULIC WINCH



FARMI EV 35 hydraulic winch is a handy tool and can be used with all kind of vehicles where there are hydraulic power available. EV 35 winch is often assembled on to the front of agriculture or forest tractor and it's used as a multi-purpose winch for all kind of work. This winch can as well be mounted on other kind of construction machines and vehicles like on skid steers, excavators, trucks etc. A special frame is available as an accessory for assembling the winch to the 3-point linkage of a tractor (front or rear). The standard model can be operated by a rope, but there's also available a hydraulically operated model, which can be steered by a remote control (accessory). This winch is available as band brake model (EV 35) and as simpler ratched brake model (EV 35R)

TECHNICAL SPECIFICATIONS	FARMI EV 35
Max. line pull with empty drum	35 kN
Min. line pull with full drum	13 kN
Cable capacity (1,96 kN/mm ²)	60 m, Ø 10 mm
Winching speed with 160 cc hydraulic motor	0,41 - 1,02 m/s
Weight (without cable)	160 kg
Clutch	Mechanical friction plate clutch with heat sink
Power transmission	Hydraulic motor (HOF)
Mounting	Front of the tractor / three-point hitch
Maximum working pressure	170 bar
Recommended pump capacity	40-60 l/min
Brakes	EV 35R with ratchet brake EV 35 with band brake



Farmi Forest Corporation, Ahmolantie 6, FIN-74510 IISALMI, FINLAND
Phone. +358 17 832 41, Fax +358 17 8324 372, Email: info(at)farmiforest.fi

EVL35EN 2014/06 NHa

FARMMI® FOREST

PROFITABLE CHOICE - SINCE 1962

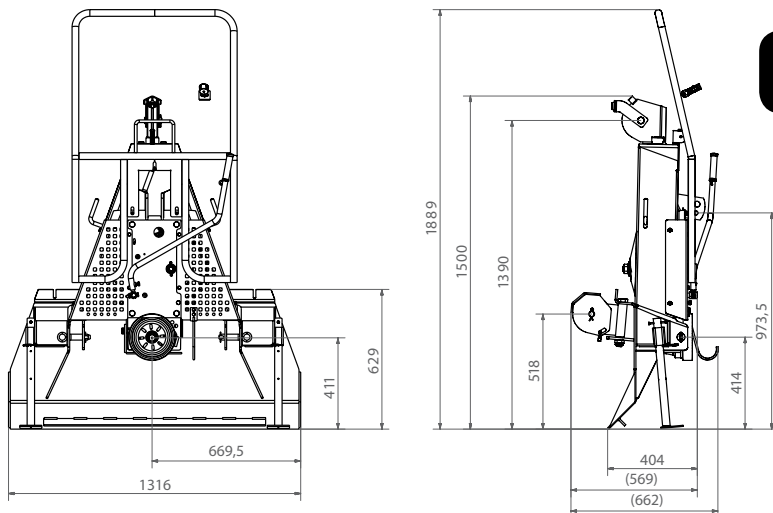
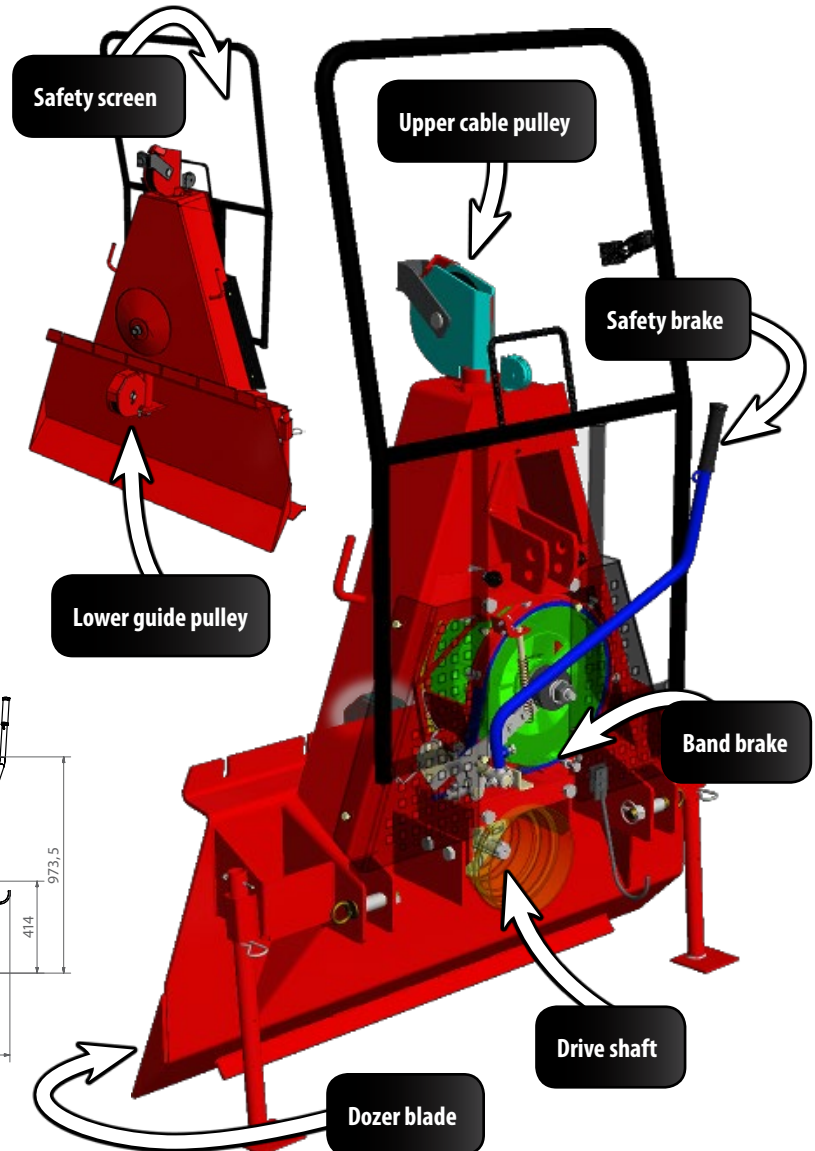
FARMMI JL 35 3-POINT SKIDDING WINCH



FARMMI JL35 is a standard small-wood winch of reliable Farmi quality. JL 35 is a single drum winch with a dead man brake (safety brake) and with 3.5 t line pull. This lightweight product is an ideal cable winch for small tractors from 15 HP on. Standard models include the upper and lower cable pulleys, ample butt plate with notched beam and safety screen.

- MODULAR DESIGN
- HIGH PULLING EFFICIENCY
- RELIABLE AND USER FRIENDLY
- OPTIMUM SPOOLING
- DURABLE AND STURDY CLUTCH
- DRUM OVERRUN BRAKE
- TOP SAFETY LEVEL

TECHNICAL SPECIFICATIONS	FARMMI JL 35
Max. line pull with empty drum	35 kN
Min. line pull with full drum	13 kN
Cable capacity (1,96 kN/mm ²)	60 m, Ø 10 mm
Winching speed (540 rpm)	0,5 - 1,3 m/s
Weight (without cable)	220 kg
Clutch	Mechanical friction plate clutch with heat sink
Power transmission	Power take-off (tractor)
Mounting	Three-point hitch (Cat I)
Maximum working pressure	170 bar
Power needed	min. 10 kW (14 hp)



Farmi Forest Corporation, Ahmolantie 6, FIN-74510 IISALMI, FINLAND
Phone. +358 17 832 41, Fax +358 17 8324 372, Email: info(at)farmiforest.fi